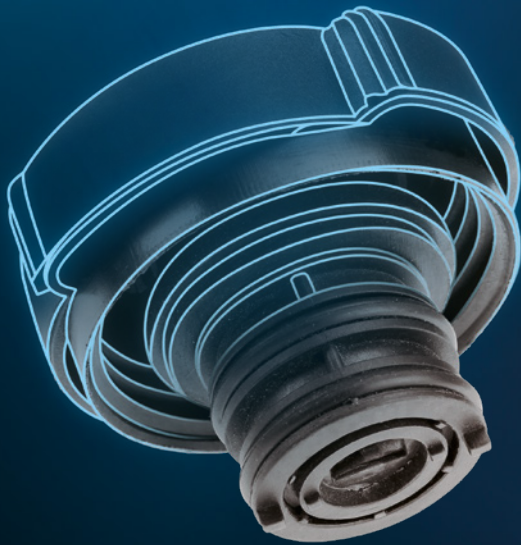


DAYCO[®]

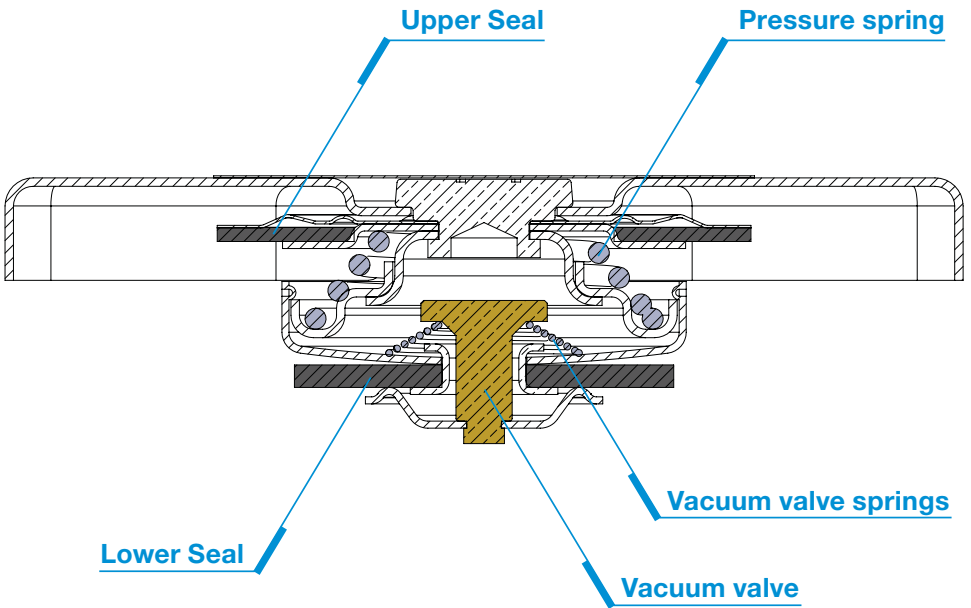
MOVE FORWARD. ALWAYS.[™]

RADIATOR CAPS



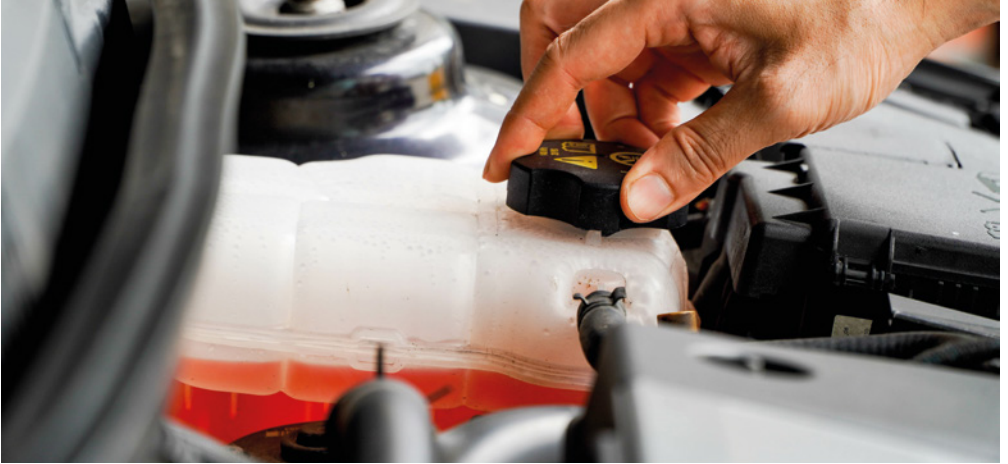
RADIATOR CAPS

RADIATOR CAPS COMPONENTS



CLOSED SYSTEM

The closed system requires an expansion tank sealed by a pressurised cap.



COOLANT EXPANSION TANK CAPS

Dayco coolant expansion tank caps provide an excellent replacement for worn or faulty caps.



OPEN SYSTEM

In open system cap is mounted directly on the radiator and an overflow tube extends for draw back.



METAL RADIATOR PRESSURE CAPS

Designed and manufactured to offer precise pressure control for the automotive cooling system.





DAYCO RADIATOR & EXPANSION TANK CAPS: QUALITY AT YOUR SERVICE

- Our new radiator and expansion tank caps range have been developed to comply with the strictest OE system
- Dayco radiator caps guarantee high performance having a significant role as a vital part of the vehicle cooling system
- Throughout the entire quality process, Dayco is constantly improving products and operations

THE FUNCTION OF DAYCO RADIATOR CAP:

- To ensure constant working pressure in the cooling system managing volume variations
- To prevent air from entering the system that can cause temperature spikes and overheating
- The cap allows coolant to go to the recovery tank when it gets hot, expands and pressures increase

DAYCO CODE	TYPE	MATERIAL	MAKER	MAIN OE
DRC016	Radiator Cap	metal	LAND ROVER, MERCEDES-BENZ	PCD100150, A0005011715
DRC017	Radiator Cap	metal	CHRYSLER, DODGE, FIAT, JEEP, LANCIA	52028974AA, 52028974AA, K05278697AA
DRC018	Radiator Cap	metal	MERCEDES-BENZ	A0005016215, A1245000406
DRC069	Radiator Cap	metal	CHRYSLER, JEEP	K05183710AA, 5183710AA, 5278767AA
DRC013	Radiator Cap	metal	FORD	1747955
DRC067	Radiator Cap	metal	ALFA ROMEO	50561258, 60504215, 60561208
DRC002	Radiator Cap	metal	FORD, HYUNDAI, INFINITI, KIA, MAZDA, MITSUBISHI, NISSAN, RENAULT, SUBARU, SUZUKI, TOYOTA	214307999C, 0K20215205, 2533017000, 4601916
DRC004	Radiator Cap	metal	FORD, HONDA, HYUNDAI, ISUZU, KIA, LEXUS, MAZDA, MITSUBISHI, NISSAN, OPEL, SUBARU, SUZUKI, TOYOTA, VAUXHALL	253301P000, 253303Z000, 25330B1000, 19045PMAE01
DRC066	Radiator Cap	metal	INFINITI, NISSAN	21430D999C, 21430D991A
DRC006	Radiator Cap	metal	HONDA, MAZDA, NISSAN, SUBARU	19045RBDE01, NF0115205A, LFH115205
DRC021	Coolant Expansion Tank Cap	plastic	AUDI	99610644704, 171121321D, 443121321
DRC072	Coolant Expansion Tank Cap	plastic	VW	025121321B, 025121321A
DRC019	Radiator Cap	metal	LEXUS, MITSUBISHI, TOYOTA	1640120353, 1640115520, B3C715205, MB660667
DRC020	Radiator Cap	metal	ACURA, CITROËN, DAIHATSU, FIAT, HONDA, LEXUS, MAZDA, MITSUBISHI, PEUGEOT, SUBARU, SUZUKI, TOYOTA	1640136020, 1611823480, 164017A470, 19045RAA003
DRC034	Coolant Expansion Tank Cap	plastic	LAND ROVER	9C3Z8101B, F6DZ8100A
DRC033	Coolant Expansion Tank Cap	plastic	OPEL, VAUXHALL	1306305, 4C4Z8100B, 1306303
DRC030	Coolant Expansion Tank Cap	plastic	SEAT, VW	1H0121321C, 1H0121321A, 1H0121321B
DRC032	Coolant Expansion Tank Cap	plastic	BMW	17117639022, PCD100200L
DRC031	Coolant Expansion Tank Cap	plastic	BMW, LAND ROVER, MG, ROVER	17137639023, PCD000070
DRC070	Coolant Expansion Tank Cap	plastic	CHEVROLET, SAAB	15042975, 13502354, 15042975
DRC035	Coolant Expansion Tank Cap	plastic	AUDI, MAN, SEAT, SKODA, VW	1J0121321B
DRC046	Coolant Expansion Tank Cap	plastic	MERCEDES-BENZ	A2105010615, A2105010215, A2105010515
DRC038	Coolant Expansion Tank Cap	plastic	LEXUS, SUBARU, TOYOTA	1647528140, 1640153010

DAYCO CODE	TYPE	MATERIAL	MAKER	MAIN OE
DRC065	Coolant Expansion Tank Cap	plastic	MERCEDES-BENZ	A1635000006
DRC037	Coolant Expansion Tank Cap	plastic	CHEVROLET, OPEL, SAAB, VAUXHALL	1304666, 90500007
DRC045	Coolant Expansion Tank Cap	plastic	FORD, LAND ROVER, MAZDA, VOLVO	1301104, 5193938, 31368311, LR000243
DRC071	Coolant Expansion Tank Cap	plastic	OPEL	1304530, 1304651, 93220885
DRC064	Coolant Expansion Tank Cap	plastic	JAGUAR	MJA4440BA
DRC042	Coolant Expansion Tank Cap	plastic	VAUXHALL	10305080, 15293434
DRC044	Coolant Expansion Tank Cap	plastic	CHEVROLET, OPEL, SAAB, VAUXHALL	1305248, 13598760
DRC051	Coolant Expansion Tank Cap	plastic	DACIA, LADA, MERCEDES-BENZ, MITSUBISHI, NISSAN, OPEL, RENAULT, SMART, SUZUKI, VAUXHALL	21430AX30A, 21430AX600, 4408066, 2171290J00, 91166192
DRC049	Coolant Expansion Tank Cap	plastic	BMW	17117639020
DRC050	Coolant Expansion Tank Cap	plastic	BMW	17117639021, 17137516004
DRC007	Radiator Cap	plastic*	CITROEN, PEUGEOT	1306C7
DRC063	Coolant Expansion Tank Cap	plastic	ALFA ROMEO, CHRYSLER, FIAT, JEEP	53330779, 68096261A, 68249136AA
DRC056	Coolant Expansion Tank Cap	plastic	ABARTH, ALFA ROMEO, CHRYSLER, CITROËN, FIAT, FORD, LANCIA, PEUGEOT	46799364, 1306F8, 1682474, 1304025, 95510506
DRC053	Coolant Expansion Tank Cap	plastic	CITROËN, DS, FIAT, LANCIA, PEUGEOT, SUZUKI	1306J5, 3637680, 9681593380
DRC048	Coolant Expansion Tank Cap	plastic	OPEL, VAUXHALL	1304677, 9202799, 60698806
DRC061	Coolant Expansion Tank Cap	plastic	MERCEDES-BENZ	A9065010015, A6395010015
DRC062	Coolant Expansion Tank Cap	plastic	AUDI	8E0121321
DRC060	Coolant Expansion Tank Cap	plastic	HYUNDAI, KIA	254413X000, 254403K000
DRC057	Coolant Expansion Tank Cap	plastic	AUDI, CUPRA, SEAT, SKODA, VW	2Q0121321A, 3C0121321, 5Q0121321
DRC059	Coolant Expansion Tank Cap	plastic	LADA	21080131106503, 21080131106501
DRC022	Coolant Expansion Tank Cap	plastic	FORD	7267969, 1647751
DRC029	Coolant Expansion Tank Cap	plastic	ALFA ROMEO, FIAT, LANCIA	46742378, 60665757

NEED MORE INFORMATION?

Scan here the Dayco Web Catalog page:



BRANDS

ACURA, ALFA ROMEO, AUDI, BMW, CHEVROLET, CHRYSLER, CITROËN, CUPRA, DACIA, DAIHATSU, DODGE, FIAT, FORD, HONDA, HYUNDAI, INFINITY, ISUZU, JAGUAR, JEEP, KIA, LADA, LANCIA, LAND ROVER, LEXUS, MAN, MAZDA, MERCEDES-BENZ, MG, MITSUBISHI, NISSAN, OPEL, PEUGEOT, RENAULT, ROVER, SAAB, SEAT, SKODA, SMART, SUBARU, SUZUKI, TOYOTA, VAUXHALL, VOLKSWAGEN, VOLVO.